

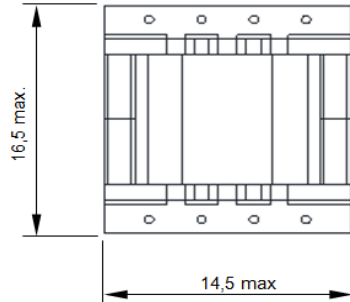
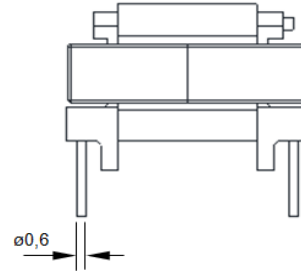
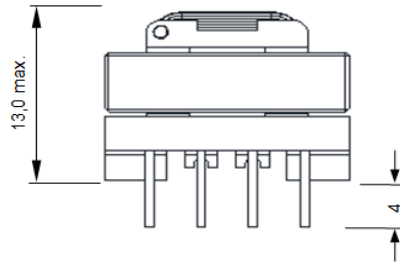
Type : **EE19-H44-1SM1**

- ✦ High Efficiency and Low Loss
- ✦ Acc. To DIN EN 62368-1
- ✦ UL94-V0 Recognized Materials
- ✦ Class 130°C Insulation System
- ✦ Operating Temperature -40°C to +100°C
- ✦ RoHS Compliant Product
- ✦ Custom Design Available

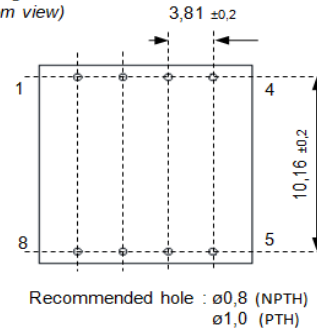


Electrical Specifications	Core Parameters	Bobbin Parameters
Max. Output Power (at 66kHz) Flyback : 15 W Half-Bridge : - - Operating Frequency : 20 - 140 kHz Isolation (pri-sec) : 3.000 Vrms, 1mA / 5 sec.	Core Type : EE19 Effective Length (le) : 39,6 mm Effective Area (Ae) : 22,5 mm <sup>2</sup> Effective Volume (Ve) : 891 mm <sup>3</sup>	Core Direction : Horizontal Number of Pins : 4+4 Max. Winding Width : 9,2 mm Max. Winding Height : 3,0 mm Winding Area : 27,6 mm <sup>2</sup>

Dimensions [mm]



Pin configuration  
(Bottom view)



The parameters of the product are given as an example. Data are subject to change without prior notice.

Revised : 20-Jan-2022